

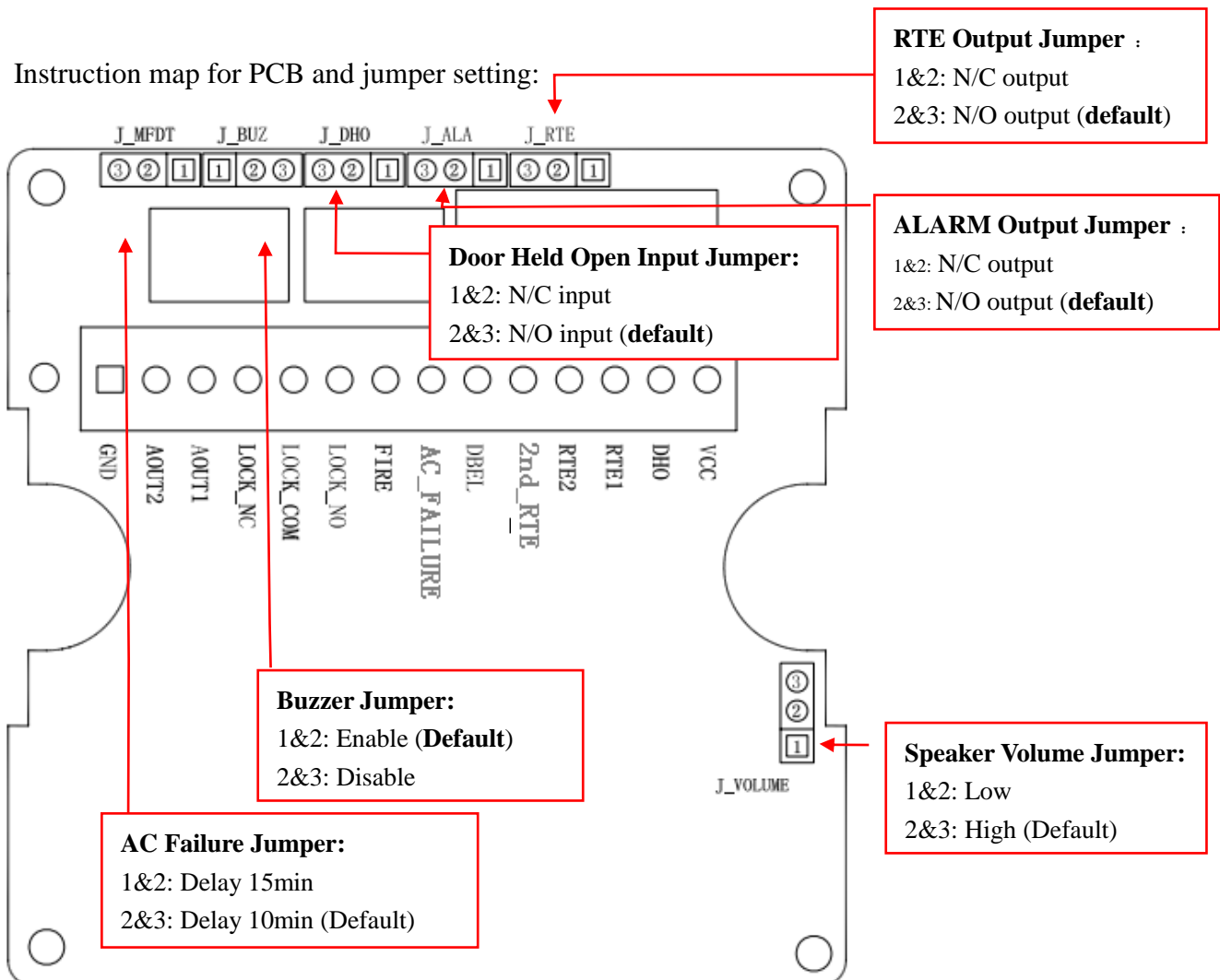
REX2-s Installation and Operation Manual

REX2-s (Safety Request to Exit Device) is a non-touchable proximity exit button. It is using capacitive proximity technology instead of infra-red. Infra-red technology exit button will touch off by sunlight, air conditioner etc. REX2-s has break glass function for emergency. The door will open automatically with light and sound alarm to indicate the direction of exit when the break glass function is active. The traditional break glass device hasn't this kind of function. In an additional, non-touchable proximity technology is effective to prevent infectious disease become a very serious issue within a society.

Function:

- Put your hand near the exit button then you will touch off the device. The color of the exit button will change into green when touch off. At the same time, the relay which inside the exit button device will touch off for one second and the buzzer will beep for one time.
- There is a blue color of door held open status signal at the left bottom corner of the exit button. It can trigger by an output contact from the door controller..
- A red LED at the left bottom corner of the REX2-s to display when main power failure.
- A yellow LED at the left bottom corner of the REX2-s to display when REX2-s received a fire alarm input and door will open.
- Support the break glass output. Hit hard on the center of device when emergency.
- Support light and sound alarm when emergency.
- Support Fail Safe and Fail Secure Output

Instruction map for PCB and jumper setting:



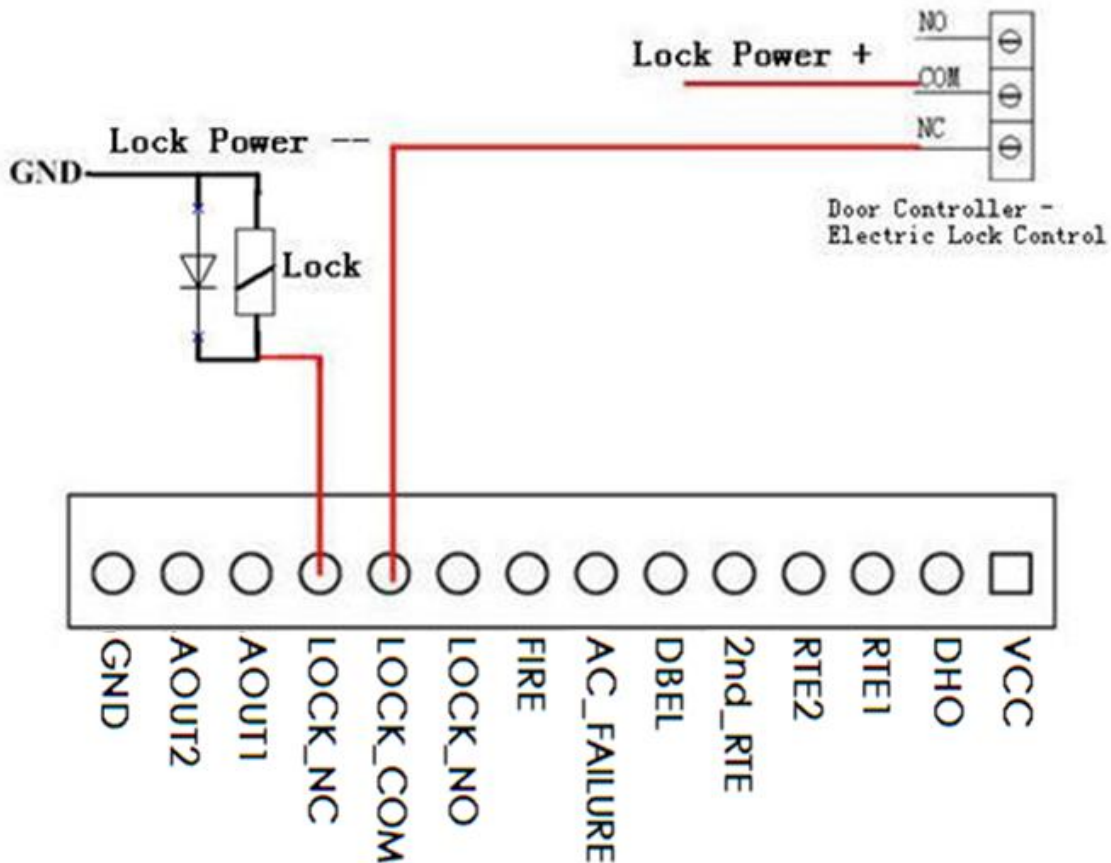
Wiring Instruction:

Label	Description
VCC	Power Input (+12VDC)
DHO	Door Held Open Input. If there is open input, DHO active when door close, and vice versa.
RTE1	Exit Button Output (Dry Contact)
RTE2	
2nd_RTE	Manual Open Input, 2nd_RTE active when received low signal
DBEL	Door Bell Output (5V-12V touch off)
AC_FAILURE	AC Power Failure Input, AC_FAILURE active when received AC power failure signal
FIRE	Fire Alarm Input , FIRE active when received fire alarm signal
LOCK_NO	Door Held Open Input
LOCK_COM	Door Held Common Signal Port
LOCK_NC	Door Held Close Input
AOUT1	Fire Alarm Output (Dry Contact)
AOUT2	
GND	Signal Ground (0 VDC)

Electric Wiring Instruction Map:

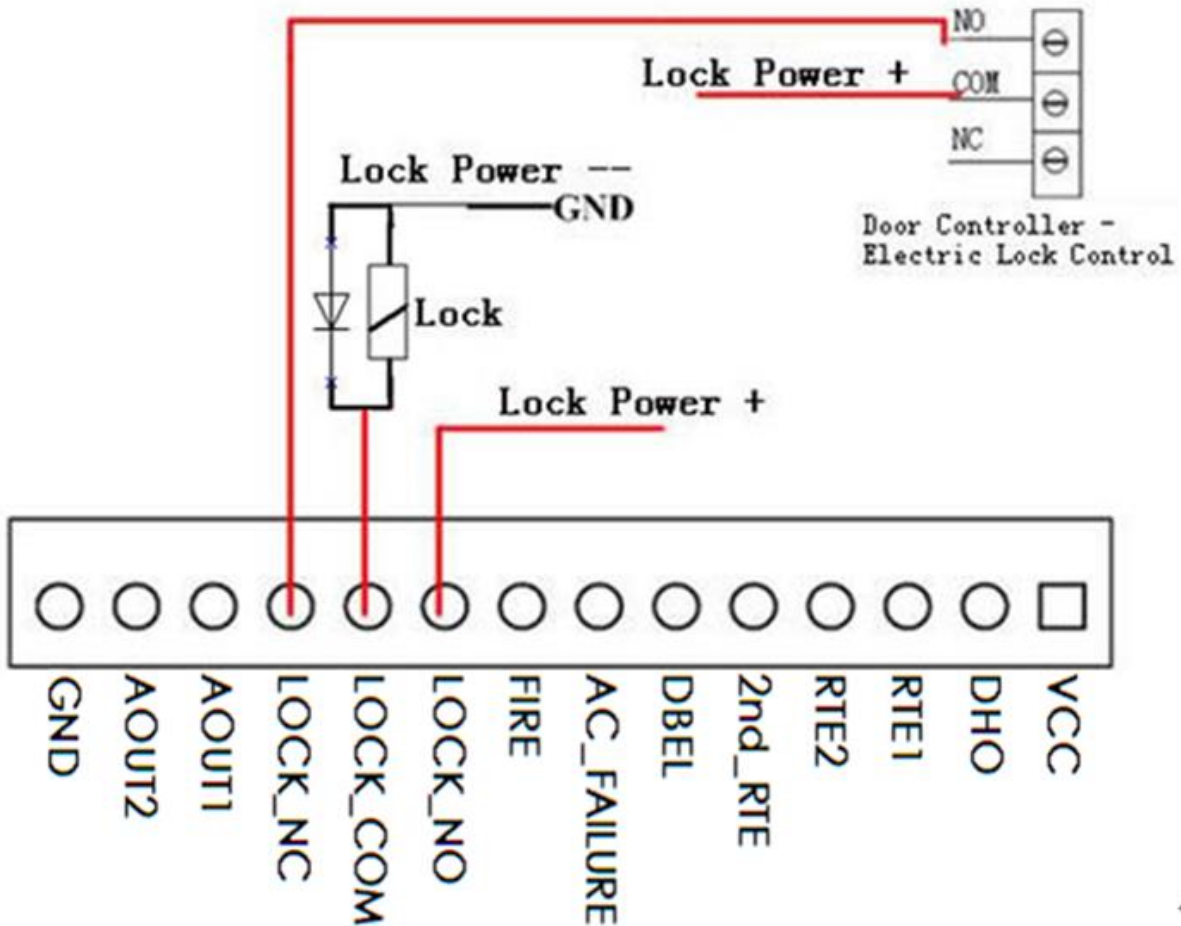
(We recommend you to separate the power supply between the electric lock and REX)

Fail Safe: (Door open when power failure)

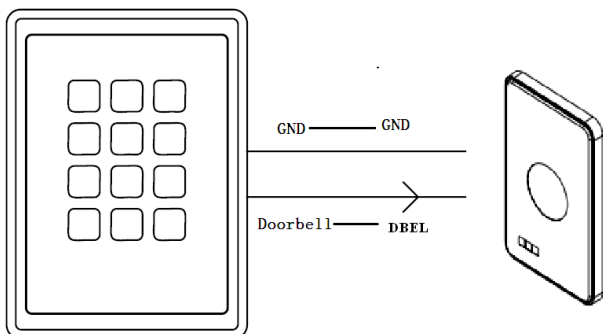


Fail Secure: (Door lock when power failure.)

Attention: Make sure the positive power supply is wiring on LOCK_NO correctly. If not, you can't open the door during emergency!

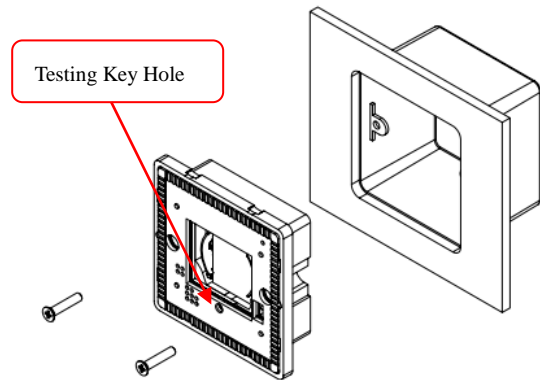


Wiring between reader and exit button:



Installation Instruction:

- 1. Wiring all wires on the correct places and set the jumpers on the suitable places.**
- 2. Put the whole module (Testing Key Hole adown) into the installation box and fixed by screw as Fig.1.**
- 3. There are 2 M-type buckles at the bottom of the cover as Fig.2. Buckle them into the slot at the bottom of the module and push the upper part of the cover up a Fig.3**



1. s
.

Fig.1

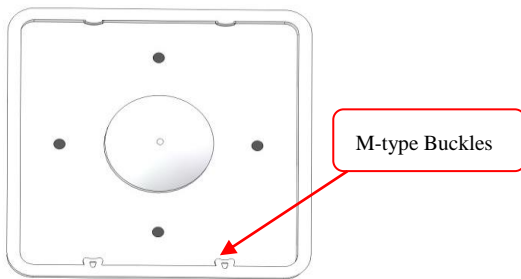


Fig.2

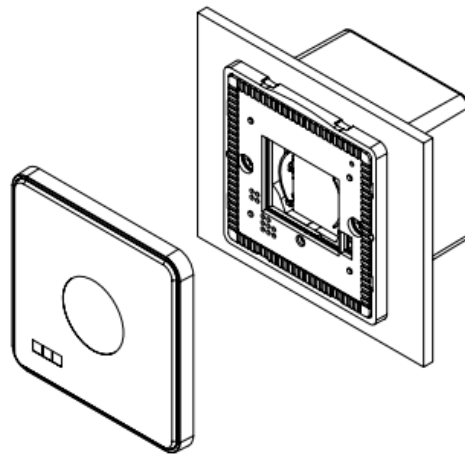


Fig.3